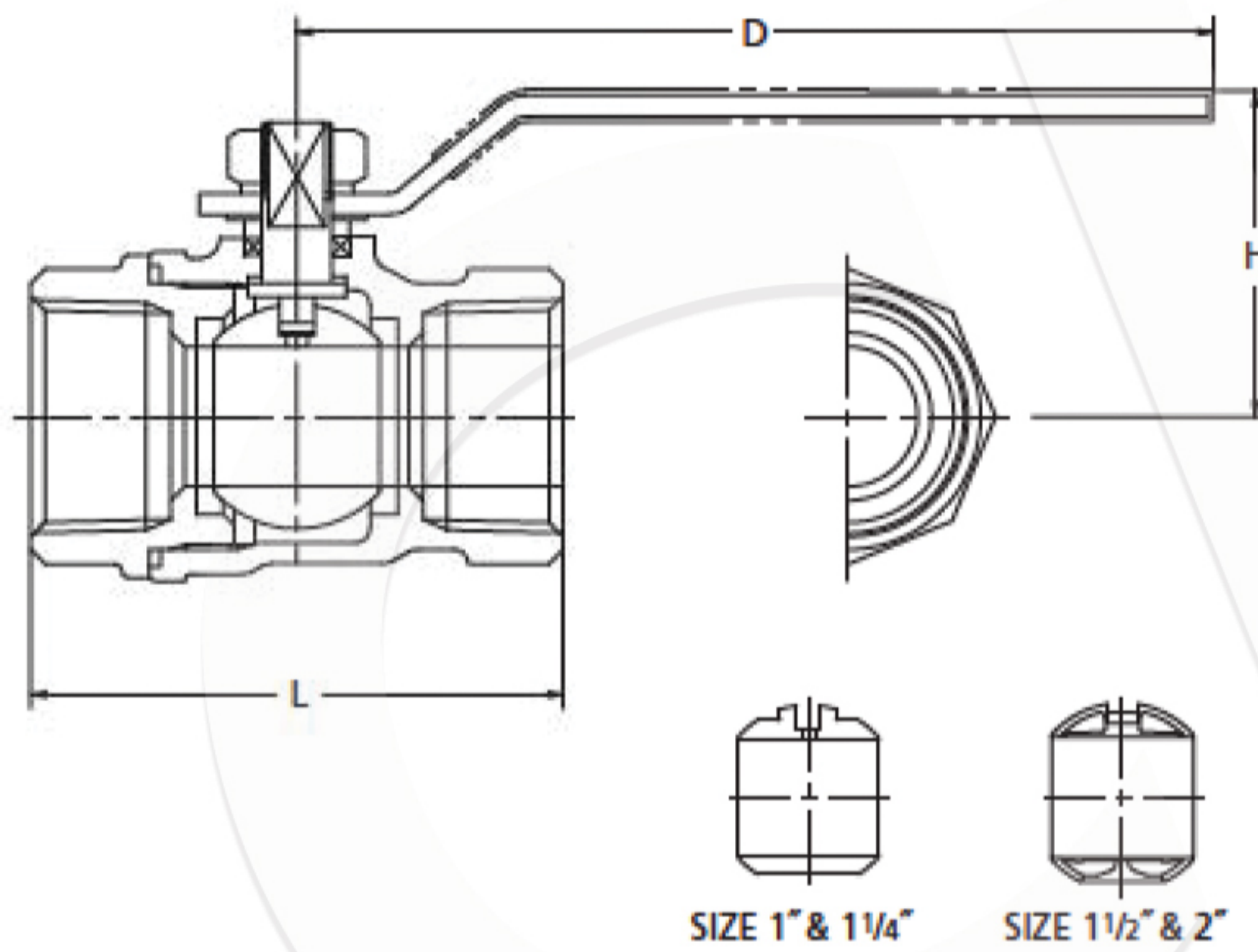


Class 400 Ball Valve Reduced Bore

STZ



End to end : KITZ Std.
End connection : JIS B 0203

W.O.G. at Room temp 2.75MPa
Saturated steam 0.98MPa
● Use for lubricating or hydraulic oil is acceptable.

Materials

Parts	JIS material
Body	FCD-S
Cap	FCD-S
Ball	C3771BE * ¹
Stem	Dezincification Resistant Brass * ¹
Gland packing	PTFE
Ball seat	G/F PTFE
Gland	C3604BD * ²
Gasket	PTFE
Handle nut	SS400 * ³
Handle	SUS430 * ⁴

*¹ Ni + Cr electroplated
*² Zinc electroplated
*³ Zinc dicromate electroplated
*⁴ Plastic covering

Dimensions

Size	mm								
	mm	8	10	15	20	25	32	40	50
	inch	1/4	3/8	1/2	3/4	1	1 1/4	1 1/2	2
L		46	51	57	65	76	86	95	115
H		38	38	42	49	52	57	63	68
D		80	80	100	130	130	130	130	150